

## GENERAL RULES FOR THE INSTALLATION AND USE OF PVC DOORS

PVC doors should be transported and stored following the general rules. Products for transport (storage) should be placed vertically, in the installing position, individually (on special racks) or in layers (in post pallets). Storage areas should be dry and protected against excessive sunlight and protect products against precipitation. The cargo spaces of the means of transport should be clean and the surfaces of walls and floors should not have sharp protruding elements likely to cause damage to the products. On the means of transport, the products shall be positioned in such a way that the planes of the leaves are parallel to the longitudinal axis of the vehicle. Positioned products should be fastened to the means of transport (e.g. with safety straps) to ensure their stability and protect them against movement and damage during transport.

## CONDITIONS AND RULES OF INSTALLATION (ASSEMBLY) OF PRODUCTS

Proper installation (assembly) of the door in the installation opening is a necessary condition for their subsequent proper functioning, and also determines the fulfilment of all requirements related to thermal and acoustic insulation and tightness to rainwater penetration. Therefore, in case of a lack of the appropriate experience and expertise, it is preferable to entrust the following work to a specialized assembly team. And here are the basic rules, the fulfilment of which determines the efficient and correct execution of assembly works:

1. Installation works should be carried out at temperatures above -5°C
2. Before proceeding with the installation, it is necessary to:

- Check the dimensions of the installation openings and possibly correct them so that the space between the wall and the window (clearance) is 10 - 25 mm

### PLEASE NOTE!!! In the case of coloured joinery, the clearance should be larger by at least (15-30 mm)

- Remove the door leaf (protect against damage), which greatly facilitates the exact setting of the frame in the installation opening.
3. To set and stabilize the position of the frame in the installation opening, use load-bearing blocks and mounting wedges. Check the setting of the frame in the opening: vertically, and horizontally, measure the diagonals and depth of the frame from the inner and outer face of the wall, whereby:
    - The maximum declination from the perpendicular (horizontal) of the frameset in the installation opening should not exceed 1 mm/1 m,
    - The difference in the length of the diagonals should not be more than 3 mm.
  4. Doors shall be fixed in the opening in such a way that the anchorages bring to the structure of the building all foreseeable forces acting on the window, taking into account the movements occurring at the joints. Therefore, it is necessary to:
    - Place the door in the opening, ensuring the required clearance mentioned above;
    - Stabilize the correct position of the frame in the opening using support blocks and mounting wedges;
    - Exterior doors are more exposed to dynamic loads (such as a strong "door slam") than static loads. In addition, there are fewer locking points on the door compared to window elements. Therefore, additional fastenings and door washers should be provided in place of the hinges and lock (Fig.1)
    - Choose the right type and dimensions of fasteners (e.g. dowels, metal expansion sleeves, in the case of a hollow brick use special screws, e.g. spax, etc.), it should be remembered that the depth of anchorage of fasteners in the jamb (dowels, screws, expansion sleeves) should be not less than 60 mm; **Do not use mounting anchors for external doors**
    - The number and location of door fastening points to jambs (building structure) should be made according to the rules given below - **the distance between fasteners must not exceed 700 mm.**
    - In the case of **coloured door joinery, the distance between fasteners should not exceed 300 mm** at equal intervals on each side of the frame
    - Pline Premium doors to maintain the RC2 burglary resistance class must be fixed to the wall with screws min 7.5x120 mm at intervals as in Figure 2. The same method of installation is also recommended for other PVC doors.
    - For multi-part external doors with a post, as well as in the case of combined sets, reinforcing profiles should be additionally installed (Fig.4)
  5. Fastening the door should be made mechanically - it is unacceptable to use foams or adhesives for this purpose, while the fasteners (dowels) should be protected against corrosion.
  6. After installing the frame in the opening, check whether it has not been deformed (warped) during installation: any irregularities should be eliminated by correction with mounting wedges.
  7. Install the leaves in the frame, while checking their proper functioning, and make any adjustments to the fittings.
  8. Before insulating and sealing the joint of the door with the wall, the fittings and external surfaces of the door should be protected against contamination with sealing materials, mortars or paints with tape or foil.
  9. The space between the wall and the door frame should be filled with low-expansion polyurethane foam, remembering to:
    - Previously moisten the wall and frame with water to improve the adhesion of polyurethane foam;
    - Allow excess foam to flow freely, preventing deformation of the frame.
  10. After the filling foam has hardened, remove the spacers and mounting wedges, then repair (replenish) the resulting cavities with mounting foam.
  11. When performing plastering works, the installed doors should be protected with foil against dirt, scratches or other damage to their surface.
  12. After completing all works related to the installation of the door, all door elements should be cleaned with appropriate agents and the foil tape securing the door frame profiles should be removed immediately.

## CLEANING, USE AND MAINTENANCE

Door cleaning - Light dirt on the surface of the product should be removed with water and the addition of delicate washing agents. In the case of strong, difficult-to-remove dirt, it is permissible to use delicate abrasives and polishing agents. Cleaning agents that cause scratches, scouring powders, wire brushes and chemical cleaning agents that affect the surface of the door frames are strictly forbidden. The surface of the door does not require any maintenance. Do not paint the door with any types of paints and varnishes, or use other additional protective layers (coatings). It is recommended to avoid contact of the surface of the door frame with any hot objects (e.g. irons, heaters, stoves, etc.) as well as any sharp objects, such as screwdrivers, putty knives, etc., that may damage the frame (scratches).

### SEAL MAINTENANCE

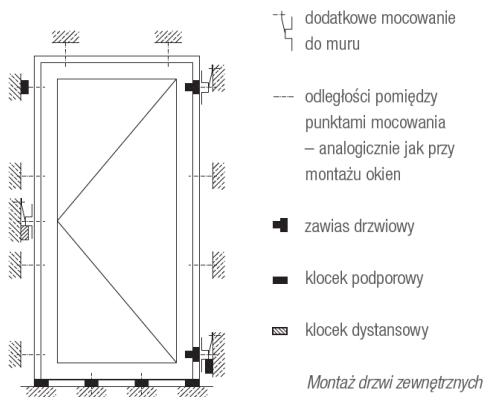
The flexible rebate and glazing seals used in the doors are made of EPDM. These materials are resistant to ageing and weather conditions, but require maintenance – twice a year the surface of the seals should be "lubricated" with a thin layer of technical petroleum jelly or other rubber care agent. Seals in the event of damage can be replaced as part of the service.

### CLEANING OF INSULATING GLASS UNITS

The doors are equipped with insulating glass units in the form of hermetic one- or two-chamber glazing units. Cleaning the glass is limited to cleaning the two outer surfaces of the glass sets. Insulated glass units can be cleaned with all readily available glass cleaners. It is prohibited to use any polishes or caustic chemicals. It is prohibited to remove dirt with sharp tools. The initial cleaning of all tough dirt on the glass should be made with water with a small amount of detergent and then wiped clean using a clean soft piece of cloth.

## OPERATION AND USE OF ENVELOPE FITTINGS

The doors are equipped with high-quality WH fittings. Make sure that the fittings during installation are protected against dirt (plaster, gypsum, cement, dust, paint, etc.). Possible contamination with mortar, plaster, etc. should be cleaned immediately with water before they harden. The fittings should be cleaned with mild and appropriately diluted agents (with neutral pH). The use of aggressive and acid-containing cleaning agents is not allowed.



Dodatkowe mocowanie do muru – additional mounting to the wall  
 Odległość pomiędzy punktami mocowania – distance between mounting points - analogicznie jak przy montażu okien – similar to window installation  
 Zawias drzwiowy – door hinge  
 Klocek podporowy – support block  
 Klocek dystansowy – spacer block  
 Montaż drzwi zewnętrznych – Exterior door installation

Fig. 1 The way to support PVC doors

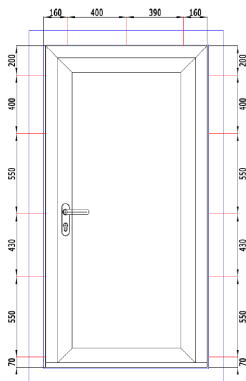


Fig. 2 Placement of fastening points

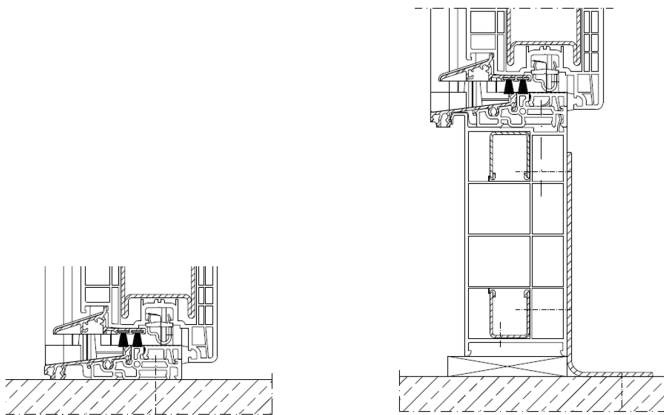


Fig. 3 Installation of the threshold (directly to the floor and the widening)

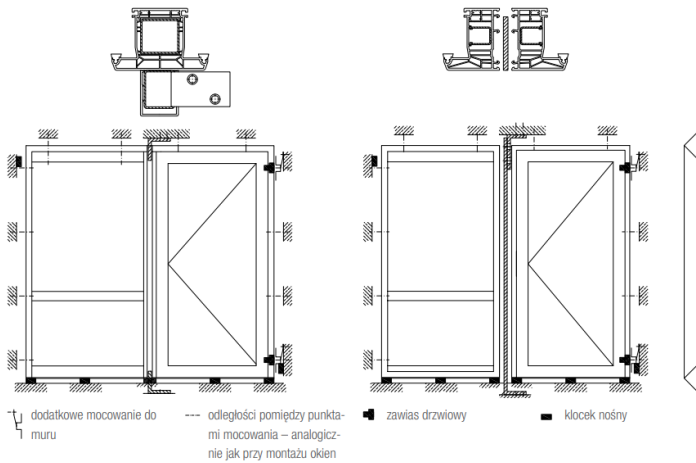


Fig. 4 Installation of a set of exterior doors

The information given in this document is provided to the best of our knowledge and contains general guidelines for the installation of PVC windows and doors, and does not release or limit the observance of appropriate technical and construction regulations.